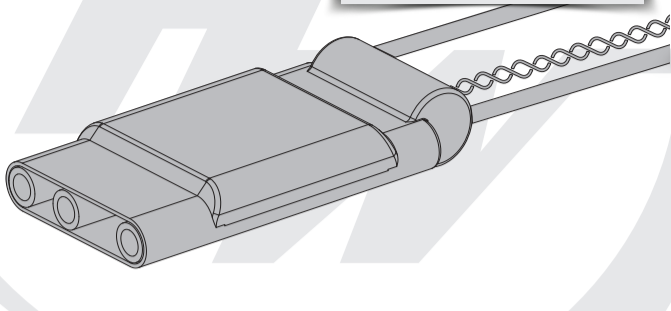




Thank you for purchasing this HOBBYWING product! Brushless power systems can be very dangerous. Any improper use may cause personal injury and damage to the product and related devices. We strongly recommend reading through this user manual before use. Because we have no control over the use, installation, or maintenance of this product, no liability may be assumed for any damage or losses resulting from the use of the product. We do not assume responsibility for any losses caused by unauthorized modifications to our product. We, HOBBYWING, are only responsible for our product cost and nothing else as result of using our product.



## 01 Features

- Special core program for multi-rotor controllers meets various functional requirements against multi-rotors.
- Specially optimized software for excellent compatibility with disc-type motors.
- DEO (Driving Efficiency Optimization) technology significantly reduces the ESC temperature, improves the throttle response, and strengthens the stability and flexibility of multi-rotors. This ESC is quite suitable for QAVs. (The motors slow down rapidly, especially when reducing the throttle amount.)
- Compatible with "Regular" signal-receiving mode (that is the ESC can receive regular throttle signals range from 1100μs to 1940μs) and "One Shot" signal-receiving mode (that is the ESC can receive fixed throttle signals range from 125μs to 250μs).
- The twisted-pair design of the throttle signal cable effectively reduces the crosstalk produced in signal transmission and makes flight more stable.
- In "Regular" signal-receiving mode, the ESC is compatible with various flight-controllers and supports a signal frequency of up to 500Hz.

## 02 Specifications

Model	Con. Current	Peak Current (10s)	BEC	LiPo	Programmable item (Not Accessible in "One Shot" Mode)	Weight	Size	Applications (For reference)
XRotor 15A	15A	20A	No	2-4S	Timing (Medium/High)	10.5g	47x17x8.3 mm	250/300 Class (Multi-rotors)



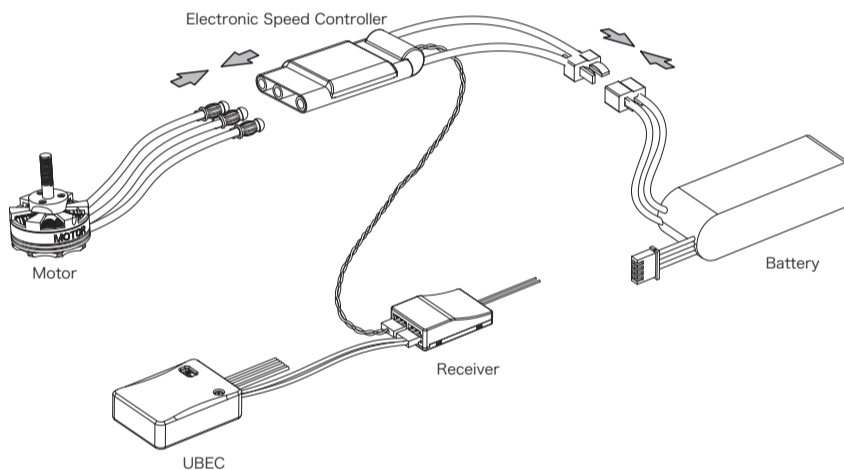
- For 250 or 300 class multi-rotors, we recommend using 1806 size or 2204 size motors and 5 inch or 6 inch propellers. (Because bigger propellers or motors may cause the ESCs to get burnt because of overload, so users need to take the risk themselves if they persist in using propellers or motors beyond our recommendation.)
- Users cannot change the signal-receiving mode during the powering up process and the flight. If necessary, they need to change the mode on the flight controller (on the condition that the flight controller has the "One Shot" signal-receiving mode), after that, disconnect the battery and then re-connect the pack, then the ESC will complete the mode change (the ESC will automatically re-detect the type of the input throttle signals and then execute the corresponding signal-receiving mode).

## 03 User Guide

### Throttle Calibration & ESC Programming

- After it's connected to the flight system, the ESC will automatically detect the input throttle signals every time it's powered on and then execute the corresponding signal-receiving mode.
- Users can calibrate the throttle range and change the timing advance in "Regular" signal-receiving mode but cannot do either in "One Shot" signal-receiving mode.
- In "Regular" signal-receiving mode, users need to calibrate the throttle range when they start to use a new XRotor brushless ESC or another transmitter.
- Users can change the timing advance when some abnormality occurs in ESC driving the disc-type motor or need the motor to reach a higher RPM. (Note: Medium/Intermediate Timing is the default setting.)

### 1 Motor Wiring

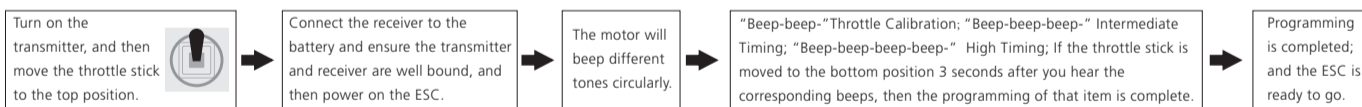


This is an extremely powerful brushless motor system. We strongly recommend removing your propellers for your own safety and the safety of those around you before performing calibration and programming functions with this system.

### 2 Throttle Range Calibration

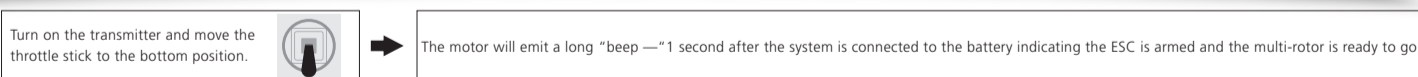


### 3 ESC Programming



Generally speaking, intermediate timing is applicable to most motors and it brings higher efficiency but less heat to the motors and speed controllers. High timing can increase the RPM of the motor, but it also increases the motor temperature. Please perform a test flight on the ground and ensure everything is functioning properly first, then fly your aircraft into the sky.

## 04 Normal Start-up Process and Protections



**Start-up Protection:** The ESC will shut down the motor if it fails to start the motor normally within 2 seconds by increasing the throttle value. In this case, you need to move the transmitter throttle stick back to the bottom position and restart the motor. (Possible causes of this problem: poor connection/ disconnection between the ESC and motor wires, propellers are blocked, etc.)

**Over-load Protection:** The ESC will cut off the power/output when the load suddenly increases to a very high value. Normal operation will not resume until the throttle stick is moved back to the neutral position. The ESC will automatically attempt to restart when the motor and the ESC are out of sync.

**Throttle Signal Loss Protection:** When the ESC detects loss of signal for over 0.25 second, it will cut off the output immediately to avoid an even greater loss which may be caused by the continuous high-speed rotation of propellers or rotor blades. The ESC will resume the corresponding output after normal signals are received.

## 05 Trouble shooting

Trouble	Warning Tone	Possible Cause	Solution
The ESC was unable to start the motor.	"Beep beep beep..." (The motor beeps rapidly)	The throttle stick is not at the bottom position.	Move the throttle stick to the bottom position or recalibrate the throttle range.
The ESC was unable to start the motor.	"Beep, beep, beep....." (Time interval is 2 second)	No output signal from the throttle channel on the receiver.	Check if the transmitter and receiver are well bound; Check if the throttle wire has been properly plugged into the throttle channel on the receiver.
The ESC was unable to start the motor.	"Beep beep beep..." (The motor beeps rapidly)	The entire throttle range is too narrow (It's requested that the entire throttle range cannot narrower than 3 lines when designing an ESC.)	Refer to the transmitter vendor instructions and adjust the entire range of the throttle channel or re-calibrate the throttle range.