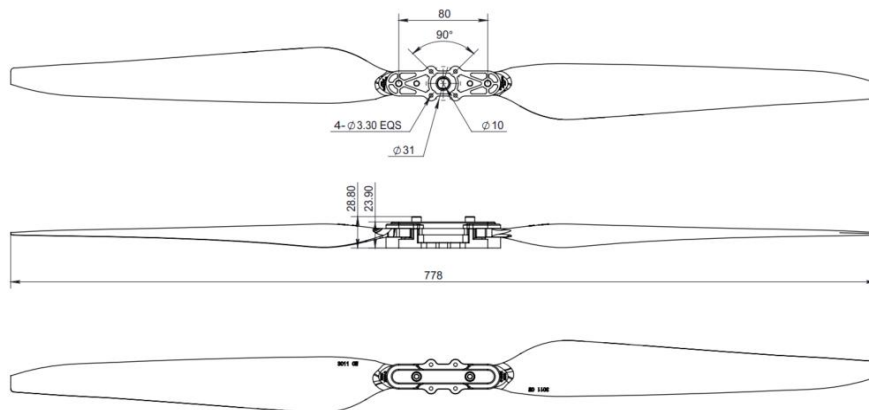


MFP 30x11

Specification

Model	MFP 30x11	Single blade weight	51.6 g
Material of blade	Carbon fiber reinforced nylon	Total weight (Including propeller adapter)	188 g
Material of Props adapter	Aluminium alloy	Operating temperature	-20°C~50 °C
Storage temperature	-10~40 °C	Storage humidness	≤85 %
Recommended RPM range	1600~3500 RPM	Recommended thrust	2.0~ 10.0 kg
Max RPM	4050 RPM	Max thrust	15.0 kg
Non-folding/Folding	Folding propeller	Recommended motors of HOBBYWING	X8

Dimension Figure



Speed, thrust and torque test data (46V)

