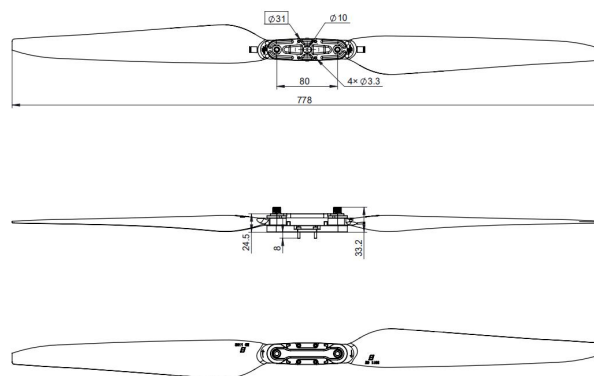


MFP 30x11S

Specification

Model	MFP 30x11S	Single blade weight	54.5 g
Material of blade	Carbon fiber reinforced nylon	Total weight (Including propeller adapter)	193 g
Material of Props adapter	Aluminium alloy	Operating temperature	-20°C~50 °C
Storage temperature	-10~40 °C	Storage humidness	≤85 %
Recommended RPM range	2100~3500 RPM	Recommended thrust	4.0~12.0 kg
Max RPM	4050 RPM	Max thrust	17.0 kg
Non-folding/Folding	Folding propeller	Recommended motors of HOBBYWING	X8 G2

Dimension Figure



Speed, thrust and torque test data (54V)

