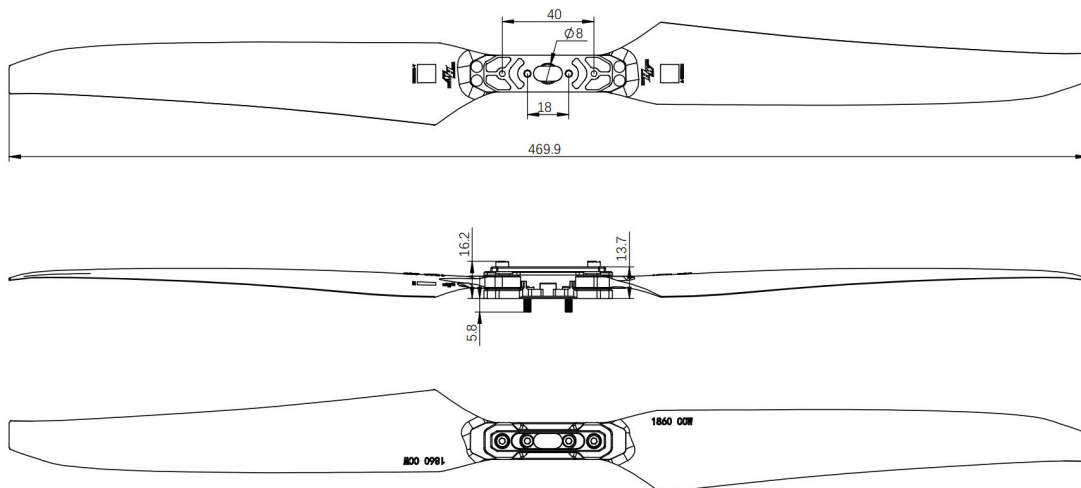


MFP 18x6.0

Specification

Model	MFP 18x6.0	Single blade weight	39±3 g
Material of blade	Carbon fiber reinforced nylon	Surface technics	Matte texture
Material of Props adapter	Aluminium alloy	Operating temperature	-20°C~50°C
Storage temperature	-10°C~35°C	Storage humidness	≤85 %
Recommended speed range	3100~6300 RPM	Recommended thrust	1.0~4.5 kg
Max RPM	7650 RPM	Max thrust	6.6 kg
Non-folding/Folding	Folding propeller	Recommended motors of HOBBYWING	M6208 / X6 SE

Dimension Figure



Speed, thrust and torque test data

