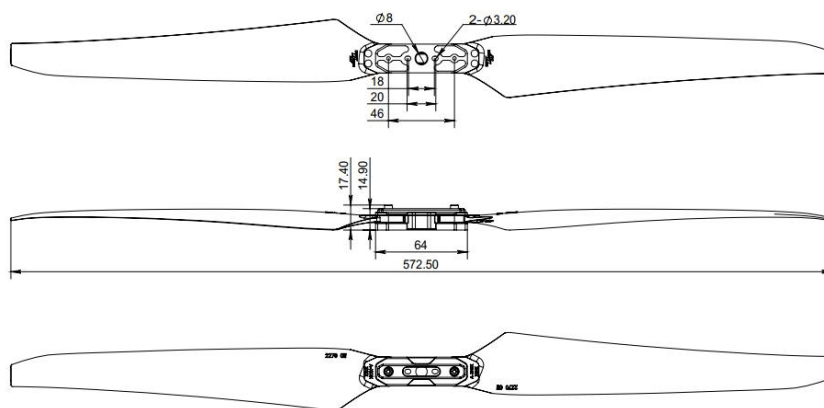


MFP 22x7.0

Specification

Model	MFP 22x7.0	Total weight (Including propeller adapter)	66 g
Material of blade	Carbon fiber reinforced nylon	Surface technics	Matte texture
Material of Props adapter	Aluminium alloy	Operating temperature	-30°C~65 °C
Storage temperature	-10°C~45 °C	Storage humidness	≤85 %
Max thrust	11.0 kg	Recommended thrust	2.0~5.0 kg
Recommended RPM range	3000~4500 RPM	Max RPM	6700 RPM
Non-folding/Folding	Folding propeller		

Dimension Figure



Speed, thrust and torque test data

