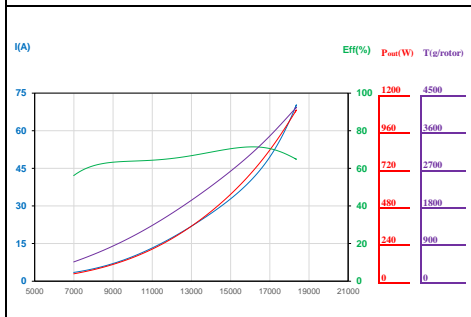
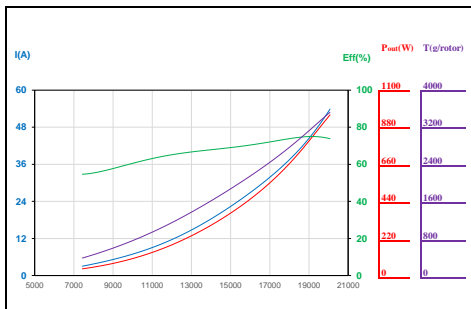


XRotor-3110 1150KV Specification (规格)

Rated Voltage(LiPo) 工作额定电压 (LiPo)	4-6S	KV KV值	1150KV
No-Load Current 空载电流	2.8A/24V	Resistance 相间内阻	45mΩ
Maximum Continuous Current 最大连续电流	69A/6s	Motor Weight 电机重量	88g
Maximum Continuous Rating 最大连续功率	1656W/6s	Pole/Slot 槽极数	12N14P
Maximum propeller pull 最大螺旋桨拉力	4126g	Motor Lead Type 线号	18AWG
Motor Size 电机尺寸	Φ 37.2 *27mm	Motor Lead Length 出线长度	250mm
Shaft Diameter 出轴直径	D5+H5	Enamelled Wire Insulation Class 漆包线绝缘等级	耐200°C高温 H级
Shaft Length 出轴长度	16mm	Recommended ESC 推荐电调	XRotor FPV-G2-65A-4in ECS
Screw Diameter / Thread 底座螺纹	Φ 19mm-4*M3	Propeller 螺旋桨	6S:HQ8x4x3; HQ9x4x3

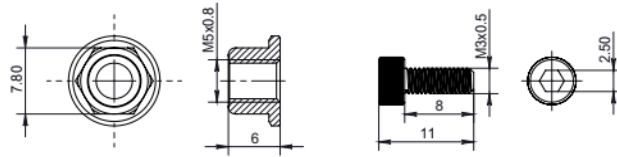
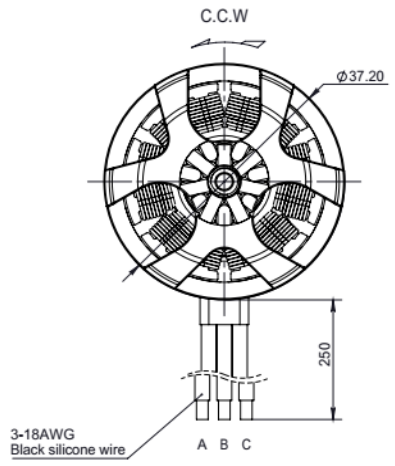
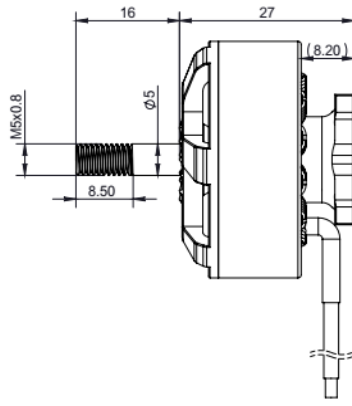
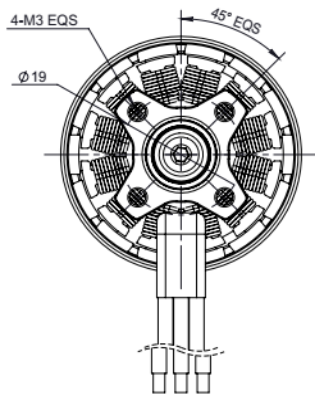
Load Performance 负载性能参数



Voltage(V) 工作电压	Propeller 螺旋桨	Throttle (%) 油门	Thrust(g) 拉力	Current(A) 电流	Power(W) 输入功率	Speed(RPM) 转速	Efficiency(g/W) 效率	Recommended full load continuous running time 推荐满载油门连续运行时间
24V (6S LIPO)	HQ8x4x3 Propeller	40%	623	5.5	132	9203	4.70	19s
		50%	997	9.8	235	11309	4.24	
		60%	1379	14.9	358	13051	3.86	
		70%	1832	21.7	522	14853	3.51	
		80%	2432	31.6	758	16966	3.21	
		90%	3116	44.2	1061	18980	2.94	
		100%	3523	53.9	1291	20074	2.73	
24V (6S LIPO)	HQ9x4x3 Propeller	40%	785	6.4	154	8732	5.09	6s
		50%	1301	12.8	307	10880	4.24	
		60%	1748	19.1	459	12409	3.81	
		70%	2240	26.5	636	13909	3.52	
		80%	2949	38.4	921	15809	3.20	
		90%	3793	58.1	1392	17645	2.73	
		100%	4126	69.1	1656	18295	2.49	

The above data is measured at room temperature 25°C and sea level height. If the throttle input adjustment tensile force is measured, the full-load full throttle running time should be controlled, otherwise there is a risk of burning the motor.

(以上数据为室温 25°C、海平面高度的环境下,变化油门输入调节拉力测得, 应控制满载油门运行时间, 否则有烧毁电机的危险。)



3110SL