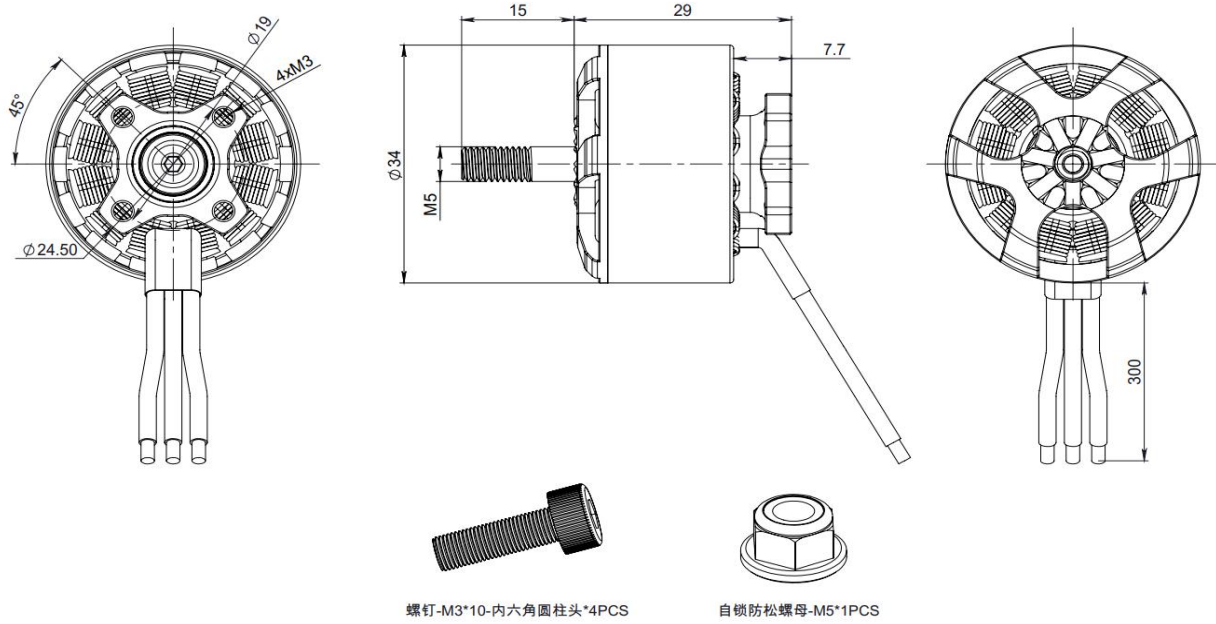


## 尺寸图 Dimension figure



## 应用搭配推荐 Recommended application combinations

旋翼电机 Motor	RTF 2814-880KV
旋翼桨叶 Propeller	HQ8x4.5x3; HQ9x4x3
搭配电调 ESC	XRotor FPV G2 ESC(4in1) 65A
电池电压 Battery	6S LiPo